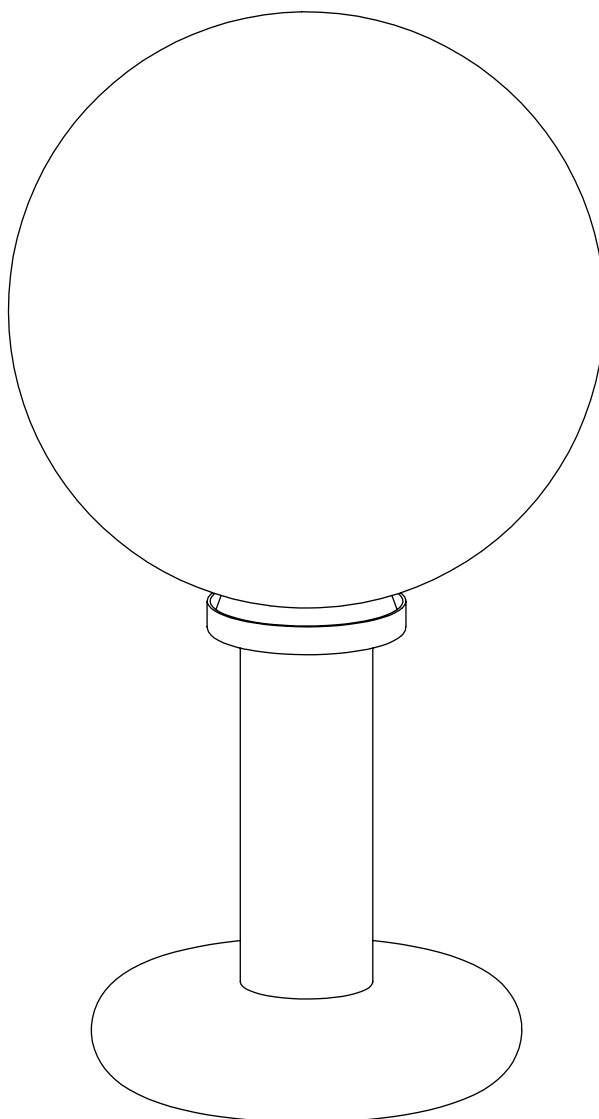


# Pluto Table

Installation Instructions



LIGHTING



---

**!** Please handle with care and wear gloves at all times during assembly and installation to avoid damaging or marking components.

---

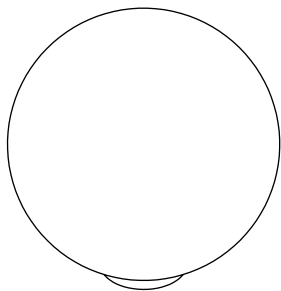
## TECHNICAL

<b>bulbs</b>	240v - 1 x G9 mains halogen, 25 watt max 120v - 1 x G9 mains halogen, 25 watt max
<b>weight</b>	2kg (4.4lbs)
<b>certification</b>	CE compliant
<b>cleaning</b>	Glass Remove the glass from the fixture and clean using a damp dust cloth, make sure you dry the glass fully prior putting it back on the fixture.  Marble To clean use a soft dry cloth. If any marks remain clean the area using a damp soft cloth then dry afterwards with a soft cloth.

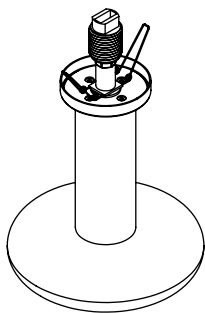
---

## COMPONENTS

Parts supplied as below, carefully unwrap them prior to installation.



1 x Opal glass globe



1 x Pluto base

---

## BEFORE INSTALLATION

Always wear soft cotton gloves when installing the fixture.

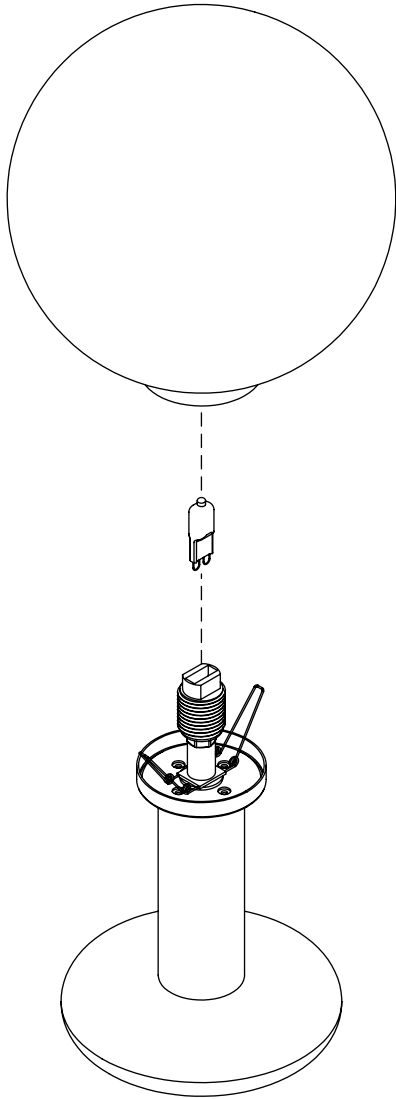
Carefully unwrap the product and handle with care during installation.

Please note; we do not supply bulbs.

# Step 1

Fit the bulb to the lampholder.

To fit the opal globe, pinch the spring clips inwards and gently push the glass over into the brass cup.



**CTO Lighting**  
9 Cloudesley Road  
London  
N1 0FH

+44 (0)20 7686 8700

info@ctolighting.co.uk  
**www.ctolighting.co.uk**