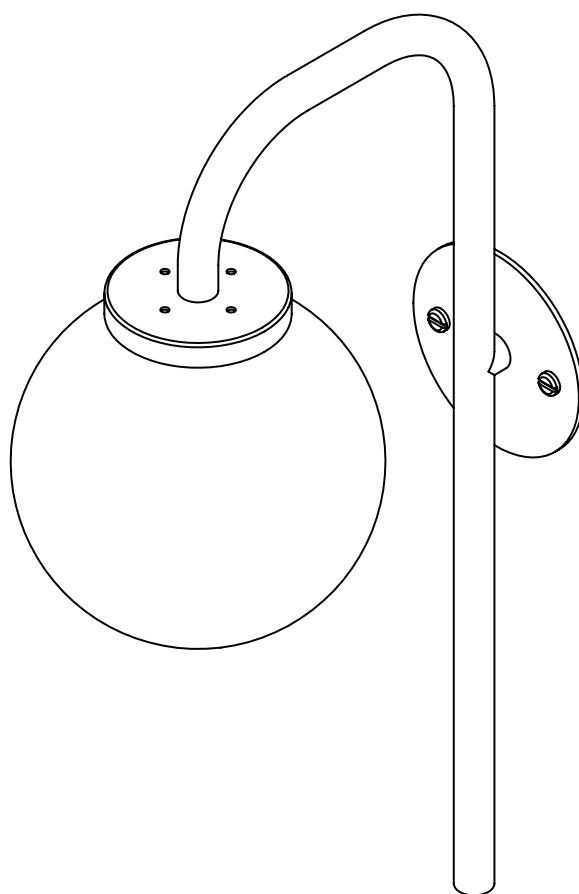


Big Bulb Opal

Installation Instructions



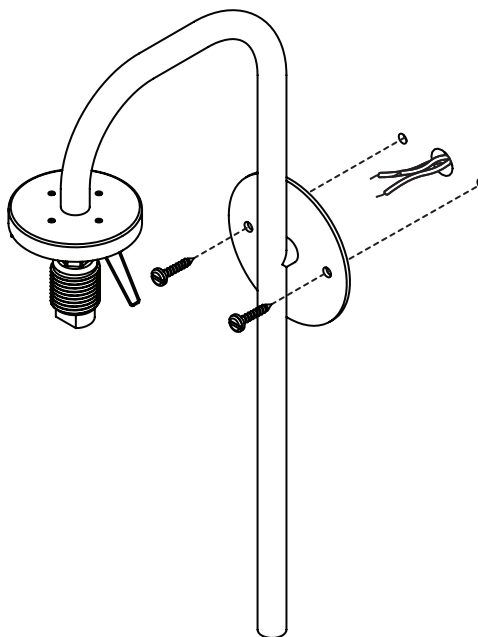
! Please handle with care and wear gloves at all times during assembly and installation to avoid damaging components.

BEFORE INSTALLATION

- Installation **must** be carried out by a qualified electrician.
 - Check that the wall is strong enough to support the weight of the fitting.
-

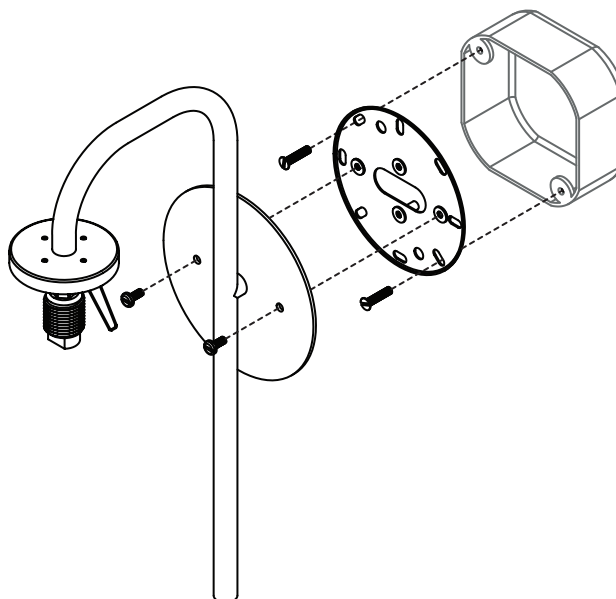
INSTALLATION

- 1.** Make the electrical connections and attach the Big Bulb back plate to the wall in the desired position using the supplied screws.

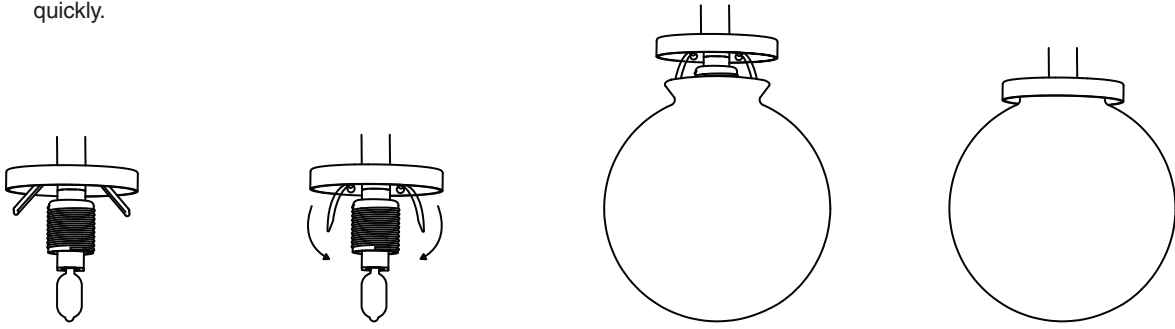


- 1a.** For **US installation**, fit the supplied US adapter plate to the junction box using suitable screws.

Make the electrical connections and attach the Big Bulb back plate to the adapter plate using the supplied machine screws.



- 2.** Fit the bulb and glass shade to the fitting. Pinch the sprung clips inwards and hold, slowly feeding the opal glass shade over the sprung clips. **Do not** release the opal glass shade too quickly.



TECHNICAL

bulb holder	1 x G9 mains halogen
wattage	1 x 25 watts
weight	2kg (4lbs)
cleaning	dust using a dry lint-free cloth weekly or as required
replacement/ repairs	contact CTO Lighting
warranty	CTO Lighting warranty, 1 year from date of delivery
certification	CE compliant